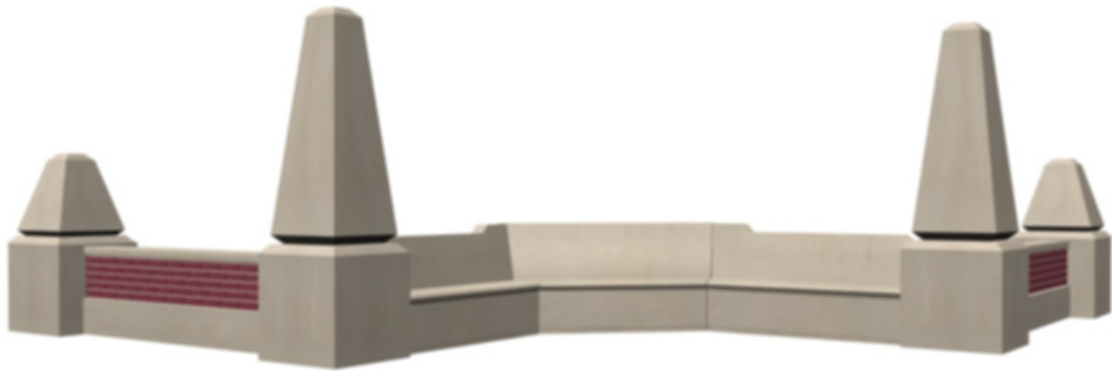
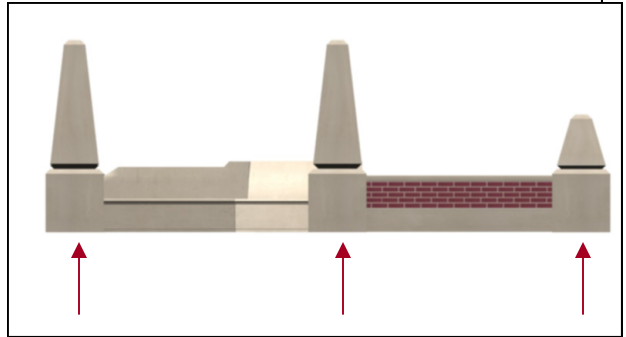
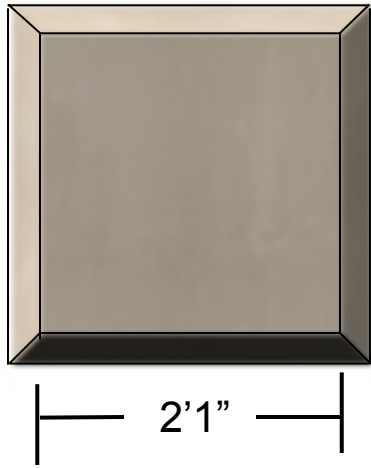


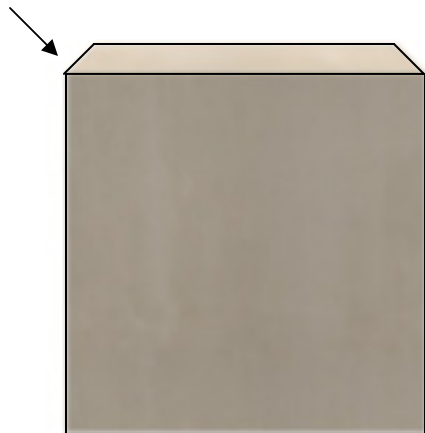
PURITAS STATION PROMENADE



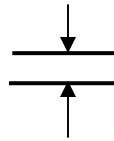
William Culbertson
32 Warren Avenue
North Smithfield, RI 02896
401-766-6256
culbertson@cox.net



45 degree angle



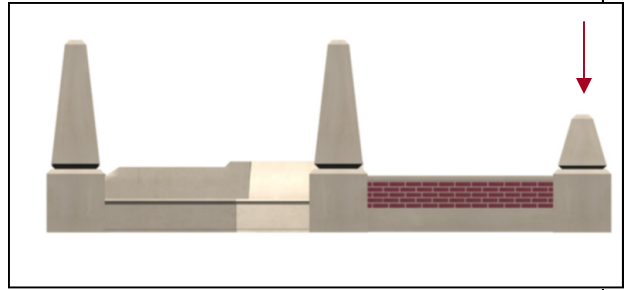
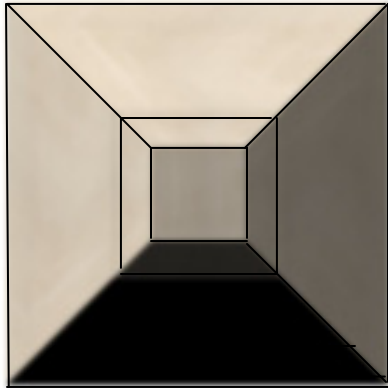
0'2.5"



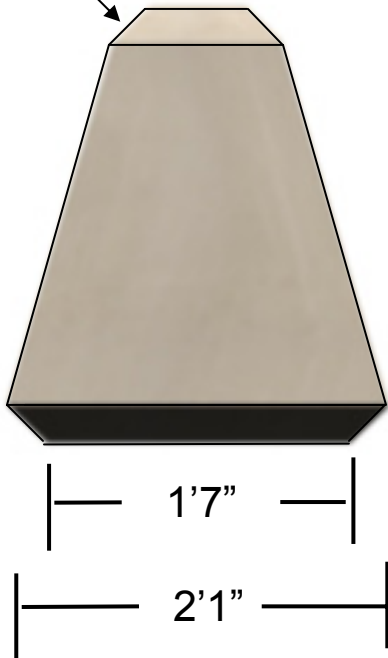
Column Base

Four (4) pieces required

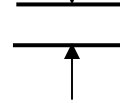
Volume = 14 cu. ft.



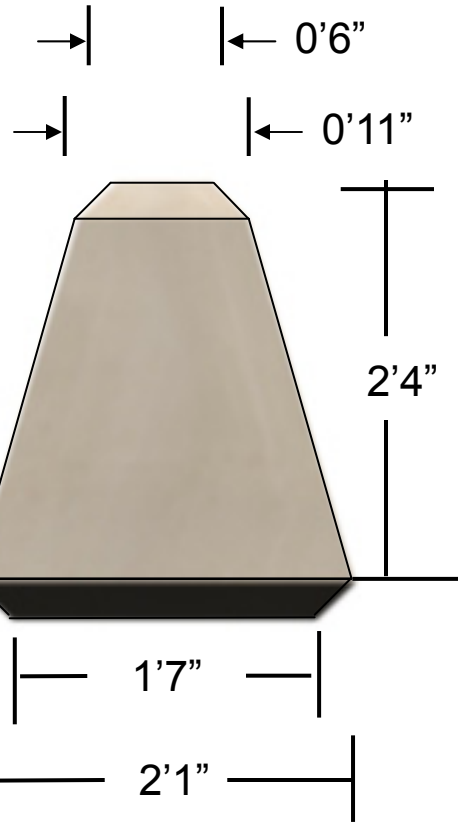
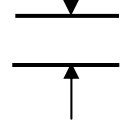
45 degree angle



0'2.5"



0'2.5"

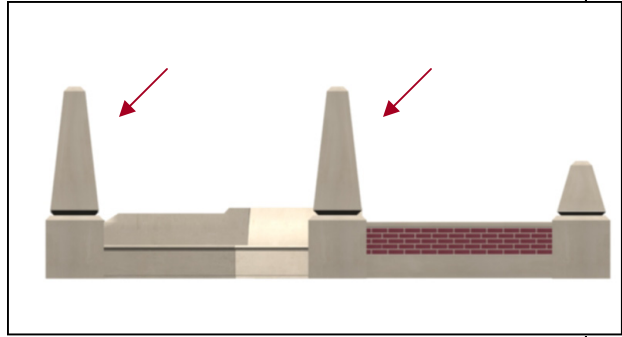
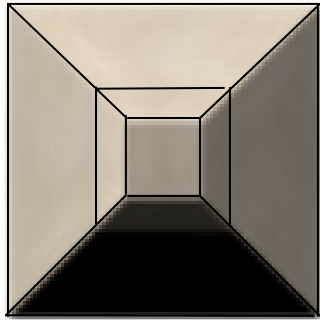


Short Column

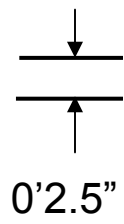
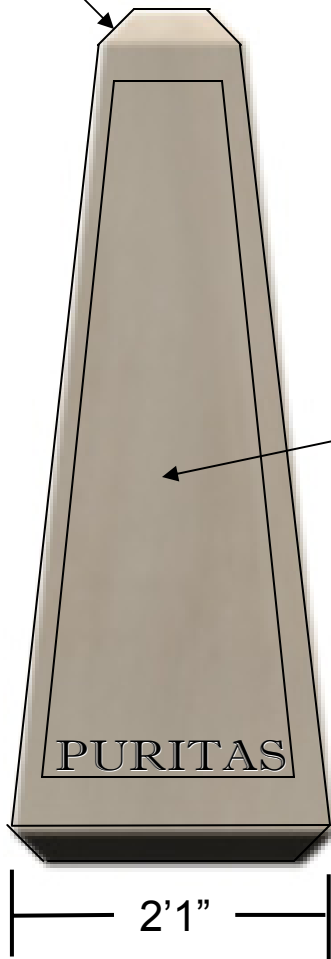
Two (2) pieces required.

No sculpture relief.

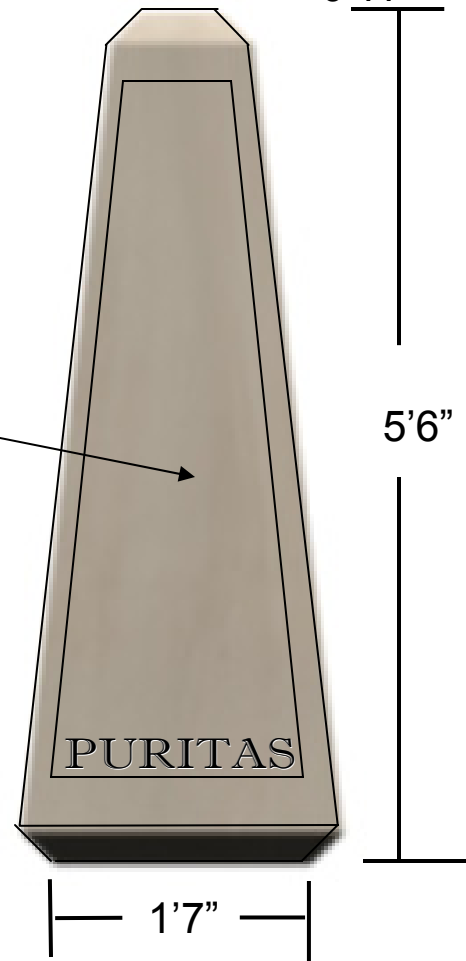
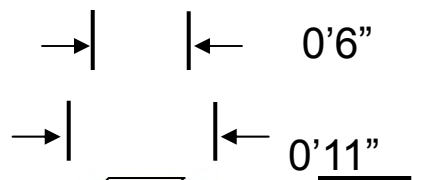
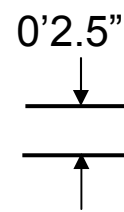
Volume = 5.5 cu. ft.



45 degree angle



Sculpture area within this boundary

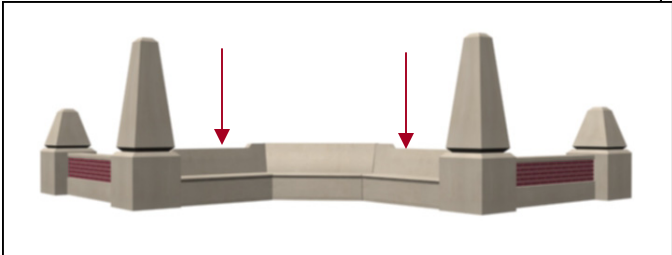
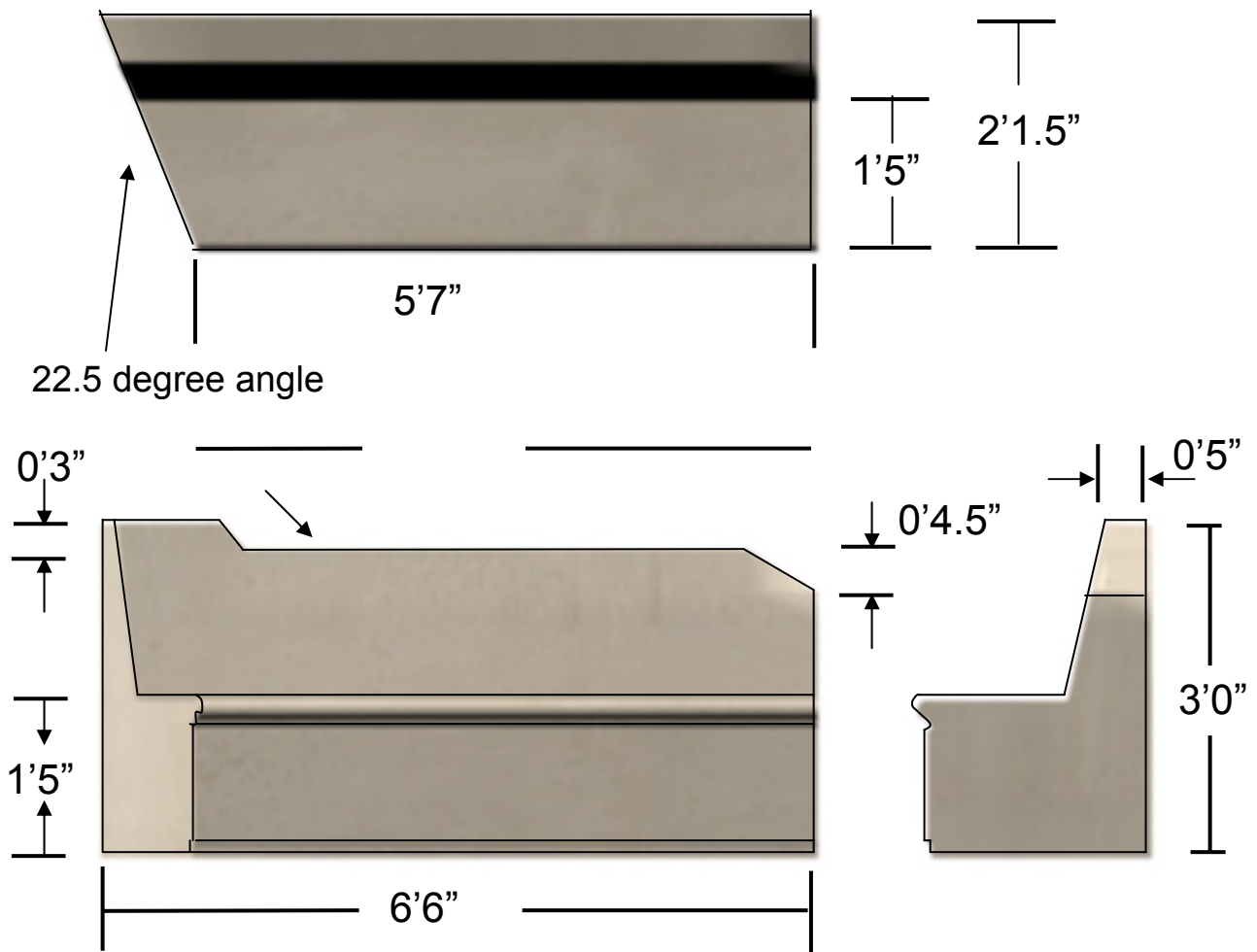


5'6"

Tall Column

Two (2) pieces required.
Sculpture relief areas on four sides.

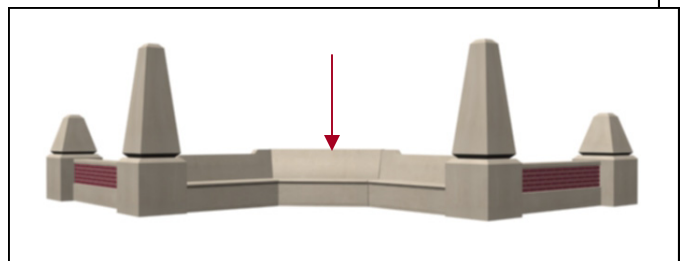
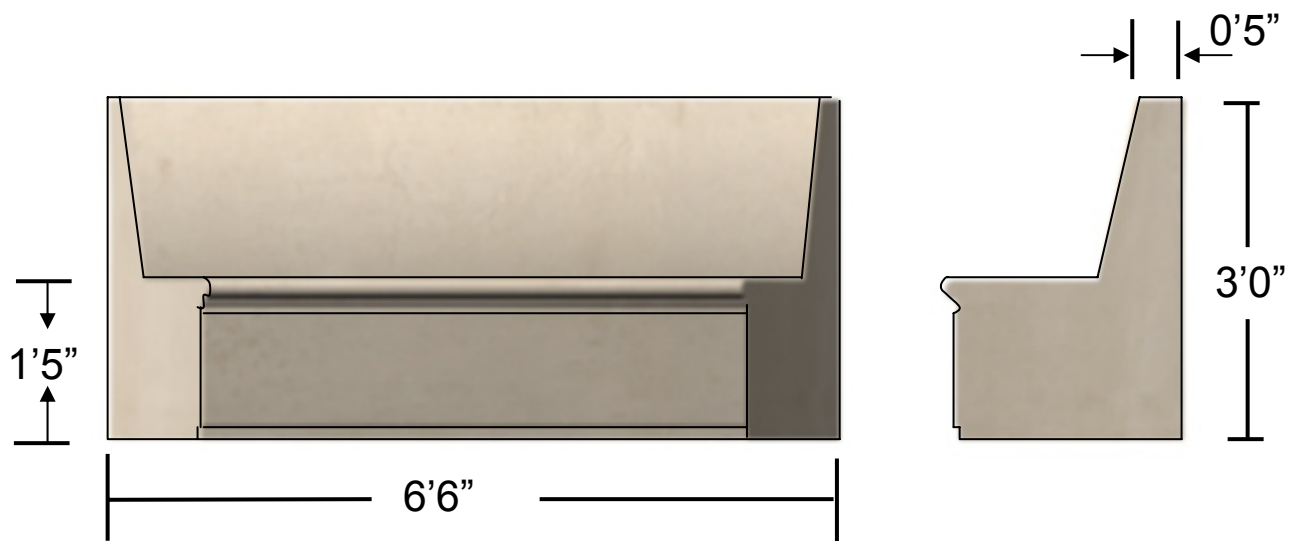
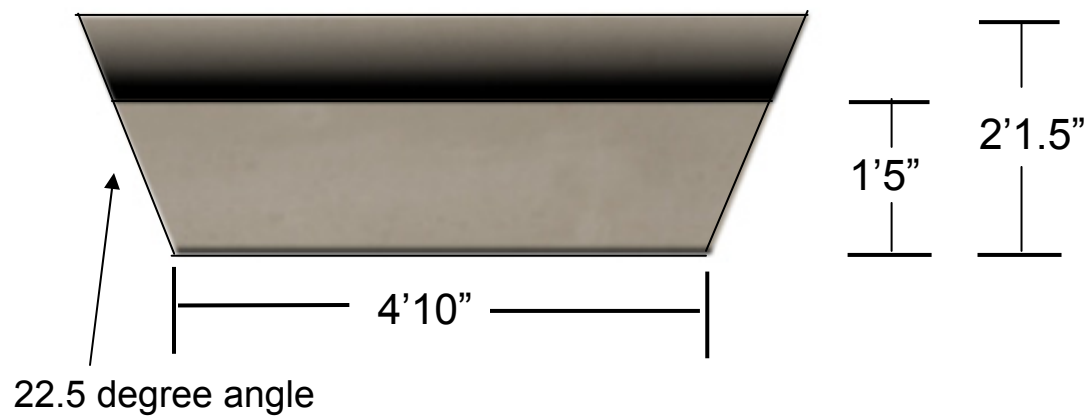
Volume = 13 cu. ft.



Bench Seat – Right Section

Volume = 22 cu. ft.

- One (1) Right section required.
- One (1) Left section required (opposite the Right section, same measurements)
- The two sections are Left and Right, opposite angles where they meet the center section .
- The center bench mold can be used to cast the left and right sections.

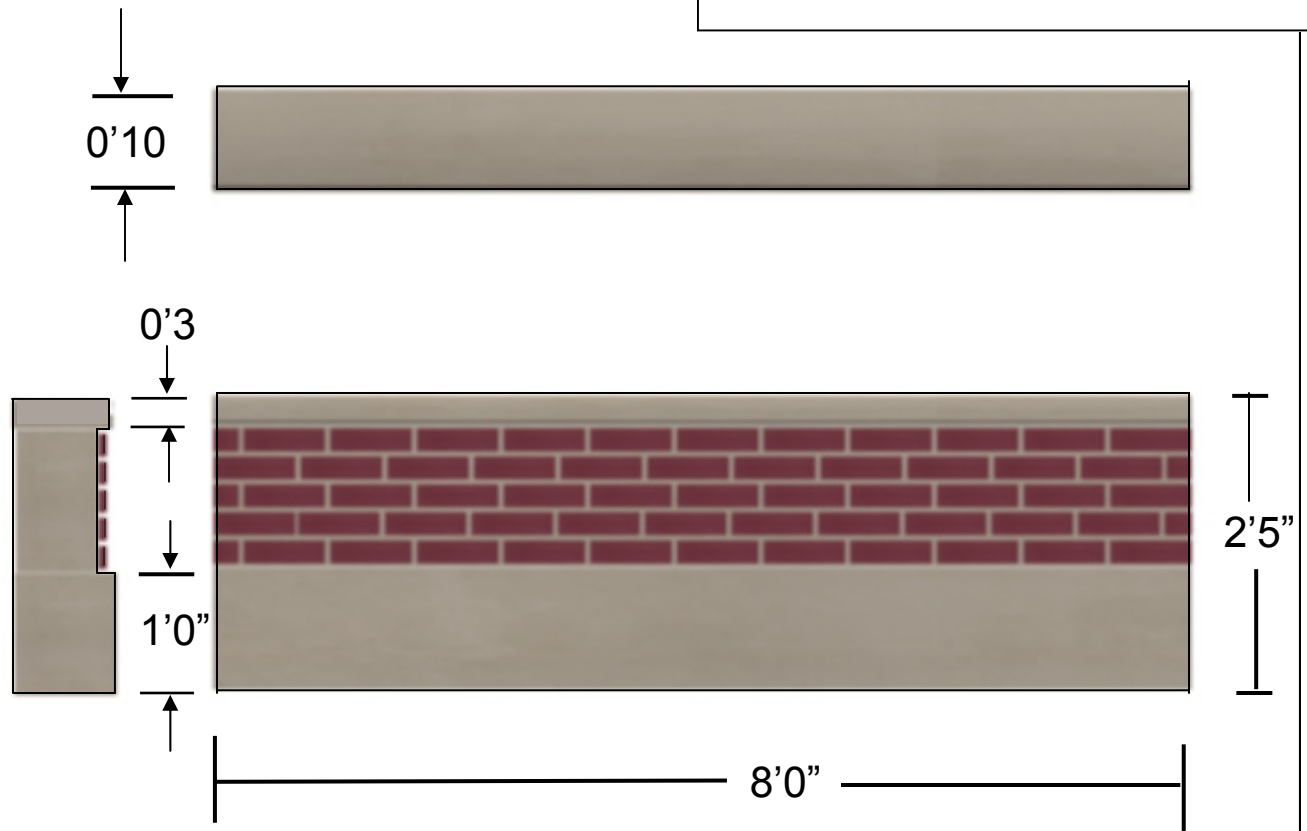
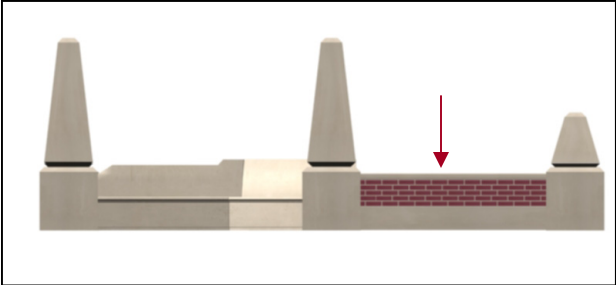


Bench Seat – Center Section

one (1) pieces required.

Volume = 22 cu. ft.

The center bench mold can be used to cast the left and right sections.



Volume = 14 cu. ft.

Wing wall

Two(2) pieces required.

Veneer brick.